



*Martin*

# SYNCHRONOUS PRODUCTS

• MPC™ • High HP HTS™ • HTS® • TIMING PULLEYS



# Martin Synchronous Products

**W**ith our vast North American network of facilities, each with warehouses loaded with stock product and machine shops for quick alterations, we have unique synchronous product capabilities:

- **4 distinct product lines to choose from**

- MPC™ (highest HP capacity)
- High HP HTS™
- HTS®
- Timing Pulleys

- **Ability and willingness to stage product locally for scheduled releases**

- **MTO capability**

- Special Materials
  - \* Ductile Iron
  - \* Stainless Steel
  - \* Plastics
- Special Bores
  - \* Steel
  - \* Aluminum
  - \* Sintered Metal
- Special Configurations

- **Belt Compatibility**

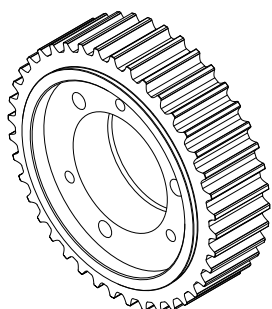
- **MPC Sprockets:** Poly Chain® GT®2 & Falcon Pd™
- **High HP HTS™:** Blackhawk Pd®, Panther®, QT Power Chain™ Eliminator
- **HTS®:** RPP™, RPP+™, Hawk Pd®, HTD®
- **Timing Pulleys:** Trapezoidal belts (XL, L, H, XH)



## MPC™ Synchronous Sprockets

Introducing our newest synchronous sprocket.

Whether it's Poly Chain® GT®2 or Falcon Pd™ we will make the sprockets to complete your drives. The addition of our MPC sprocket line makes *Martin* your one stop shop for all your synchronous sprocket needs. Match our sprocket to your favorite belt.



Available in QD, TB or other special adapters. Special diameters and widths also available.

**PB 8MX - 22S - 12**

**Bushing Options**

PB - Minimum Plain Bore  
No prefix - Taper Bushed  
QD Bushed (JA, SH, SK, SF)

**Belt Pitch**  
8mm  
14mm

**Number of Teeth**

"S" identifies it as an MPC sprocket

**Belt Width**  
12, 21, 36, 62  
20, 37, 68, 90, 125

MPC™ Synchronous Sprockets run with Poly Chain® GT®2 and Falcon Pd™ tooth belts.

MPC™ Synchronous Sprockets are designed to run with latest design, higher horsepower belts.

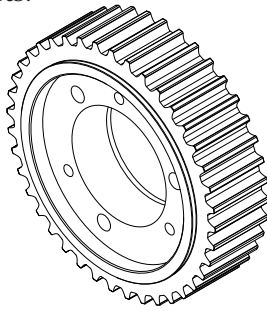
- Available in 8mm and 14mm pitches
- Belt widths: 12mm, 21mm, 36mm, 62mm (8mm pitch)  
20mm, 37mm, 68mm, 90mm, 125mm (14mm pitch)

# Martin Synchronous Products

## High HP HTS™ Synchronous Sprockets

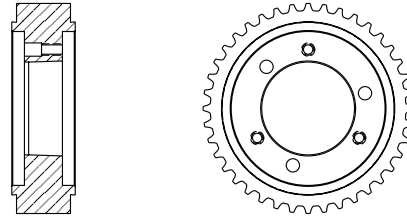
Another recent addition to *Martin's* synchronous line is the High HP HTS Sprocket. These sprockets are designed to run with today's highest horsepower RPP profile belts.

High HP HTS Synchronous Sprockets allow you more flexibility in your selection criteria. The expanded line allows you to fit the application with the most cost effective sprockets.



Available in QD, TB or MPB styles from stock.

Typical Part Number: W248M22-JA



<b>W</b>	<b>24</b>	<b>8M</b>	<b>22</b>	<b>- JA</b>
	Number of Teeth			Bushing or MPB
High HP HTS		Belt Pitch	Belt Width	
		8mm	12, 22, 35, 60	
		14mm	20, 42, 65, 90, 120	

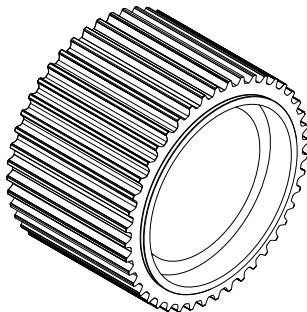
"W" High HP HTS™ Sprockets (RPP Tooth Profile)  
Run with Blackhawk Pd®, Panther®, QT® Power Chain belts.

"W" High HP HTS™ Sprockets are designed to run with latest design, higher horsepower belts.

- Available in 8mm and 14mm pitches
- Belt widths: 12mm, 22mm, 35mm, 60mm (8mm pitch)  
20mm, 42mm, 65mm, 90mm, 120mm (14mm pitch)

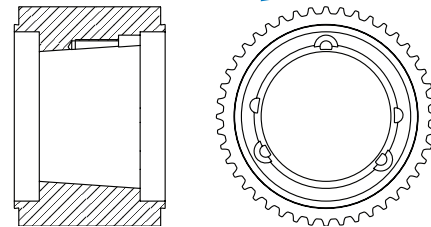
## HTS® (High Torque Synchronous) Sprockets

*Martin's* standard duty synchronous sprockets are manufactured in various sizes, dimensions and capacities to meet industry requirements. This cleaner, more efficient drive is popular in various industries and handles a wide range of loads, speeds, and demanding applications.



Available in QD, TB or MPB styles from stock.

Typical Part Number: P3014M55-SK



<b>P</b>	<b>30</b>	<b>14M</b>	<b>55</b>	<b>- SK</b>
	Number of Teeth			Bushing or MPB
HTS		Belt Pitch	Belt Width	
		5mm	15, 25	
		8mm	20, 30, 50, 85	
		14mm	40, 55, 85, 115, 170	
		20mm	115, 170, 230, 290, 340	

"P" HTS Sprockets (RPP Tooth Profile) - Runs with RPP, RPP+, Hawk Pd®, & HTD® belts.

"P" HTS Sprockets are designed to run with fiberglass corded belts.

- Available in 5mm, 8mm, 14mm, 20mm pitches
- Belt widths: 15mm, 25mm (5mm pitch)  
20mm, 30mm, 50mm, 85mm (8mm pitch)  
40mm, 55mm, 85mm, 115mm, 170mm (14mm pitch)  
115mm, 170mm, 230mm, 290mm, 340mm (20mm pitch)

## Timing Pulleys



*Martin* Timing Pulleys, still widely used, and nobody stocks them like *Martin*! Manufactured and stocked in minimum plain bore, Taper Bushed and QD bushed styles depending on size and pitch. *Martin*'s complete Timing Pulley line is made in four stock pitches.

	<b>TB</b>	<b>18</b>	<b>L</b>	<b>100 - JA</b>	
	<b>Number of Teeth</b>				
<b>TB Bushing</b>	<b>Belt Pitch</b>		<b>Belt Width</b>		<b>QD Bushing</b>
If listed, denotes that pulley is bored and drilled to accept TB bushing.	XL Extra Light	1/5"	037 - 3/8"	150 - 1-1/2"	If listed, denotes QD bushing pulley required.
	L Light	3/8"	050 - 1/2"	200 - 2"	
	H Heavy	1/2"	075 - 3/4"	300 - 3"	
	XH Extra Heavy	7/8"	100 - 1"	400 - 4"	
					<b>Stock Bore</b> No prefix or suffix indicates that pulley is stock bore.

- Runs with timing belts
- Available in XL, L, H, XH pitches
- Belt widths: 037 (XL pitch); 050, 075, 100 (L pitch); 100, 150, 200, 300 (H pitch); 200, 300, 400 (XH pitch)
- Typical Part Numbers: 18L050, 18L050-JA, TB18L050

### For more information contact a branch near you:

**USA**  
**General Offices**  
**Sales and Manufacturing**  
 Arlington, Texas 817-258-3000 (FAX 817-258-3333)  
 Danielsville, PA 610-837-1841 (FAX 610-837-7337)  
 Ft. Worth, TX 817-258-3000 (FAX 817-258-3173)  
 Montpelier, OH 419-485-5515 (FAX 419-485-3565)  
 Sacramento, CA 916-441-7172 (FAX 916-441-4600)  
 Scottdale, GA 404-292-8744 (FAX 404-292-7771)

**Mini Manufacturing Centers**  
 Boston, MA 508-634-3990 (FAX 508-634-3998)  
 Charlotte, NC 704-394-9111 (FAX 704-394-9122)  
 Chicago, IL 847-298-8844 (FAX 847-298-2967)

Denver, CO 303-371-8466 (FAX 303-371-7116)  
 Detroit, MI 734-367-0238 (FAX 734-367-0547)  
 Houston, TX 713-849-4330 (FAX 713-849-4807)  
 Kansas City, MO 816-231-5575 (FAX 816-231-1959)  
 Los Angeles, CA 323-728-8117 (FAX 323-722-7526)  
 Minneapolis, MN 952-829-0623 (FAX 952-944-9385)  
 Portland, OR 503-223-7261 (FAX 503-221-0203)  
 Tampa, FL 813-623-1705 (FAX 813-626-8953)  
 Wayne, NJ 973-633-5700 (FAX 973-633-7196)

**Manufacturing Only**  
 Abilene, TX • Clarksville, TX • Dallas, TX  
 Mansfield, TX • Paragould, AR

**CANADA**  
**Sales and Manufacturing**  
*Martin* Sprocket & Gear Canada Inc.  
 Mississauga, Ontario, Canada  
 905-670-1991 (FAX 905-670-2110)  
 Ayr, Ontario, Canada NOB 1EO  
 519-621-0546 (FAX 519-621-4413)

**MEXICO**  
**Sales and Manufacturing**  
*Martin* Sprocket & Gear de Mexico, S.A. de C.V.  
 Toluca, Edo. de México  
 +52-722-276-0800 (Fax: +52-722-276-0801)  
*Martin* Sprocket & Gear de Mexico  
 Apodaca, N.L. 66600 (Monterrey)  
 +52 811 156 6830 (FAX +52 811 156 6833)

*Martin* Sprocket & Gear, Inc. • 3100 Sprocket Drive Arlington, TX 76015 • 817-258-3000  
[www.martinsprocket.com](http://www.martinsprocket.com)